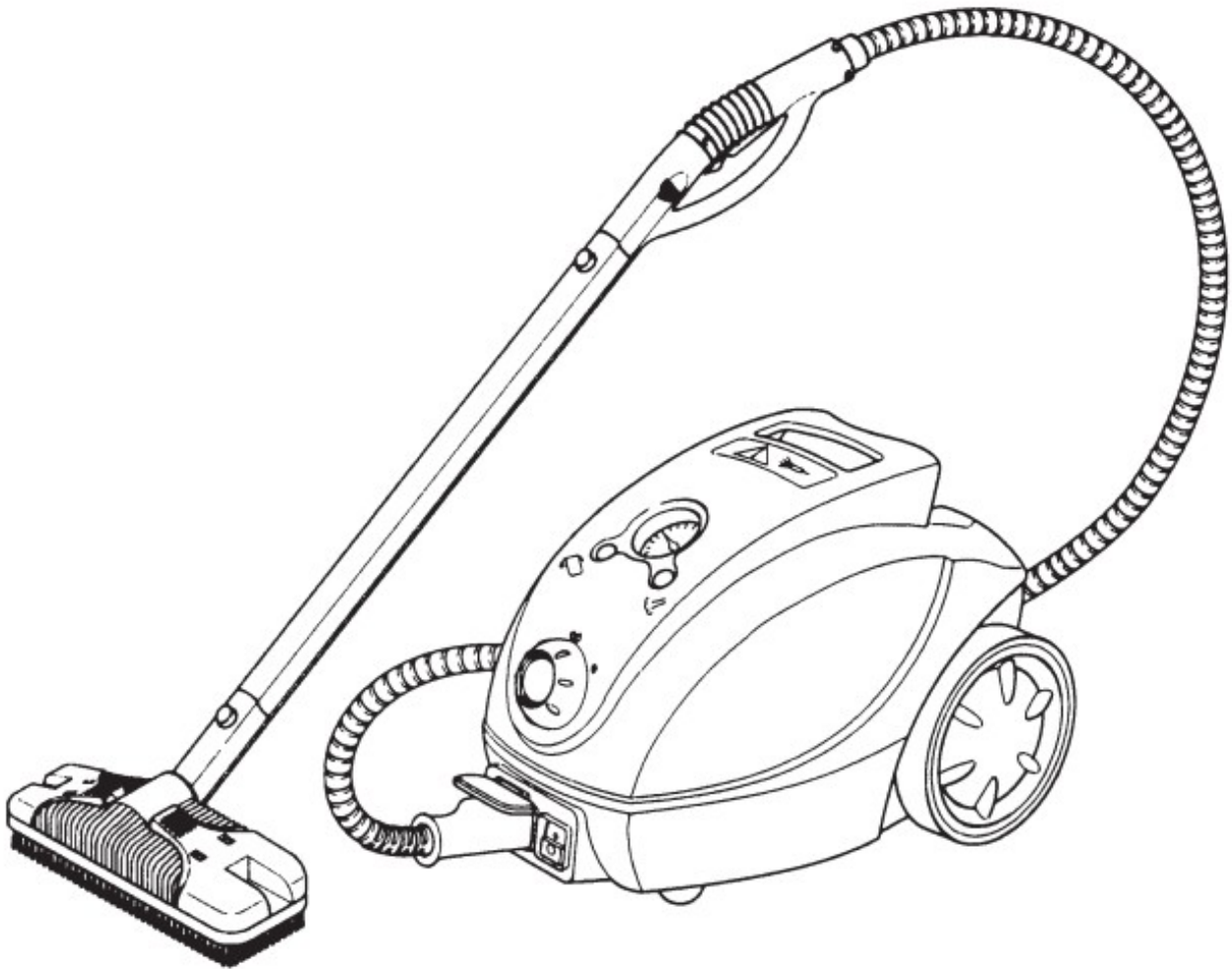




VAPOR CLEAN II



*An Italian
Steam cleaner*

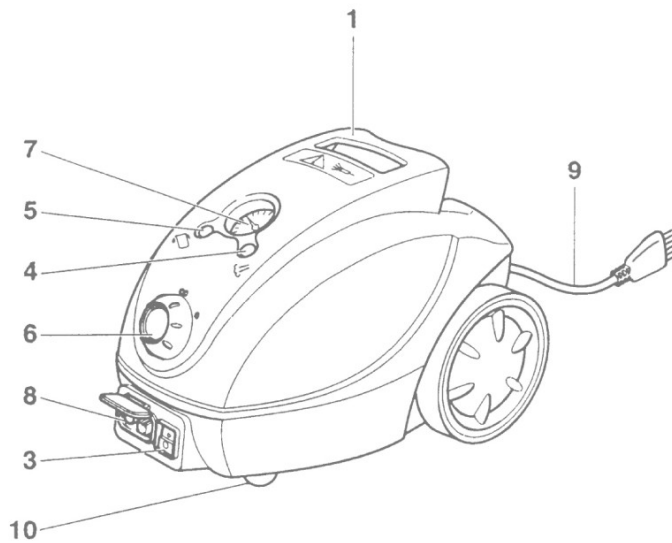
Indice / Index

APPLIANCE DESCRIPTION.....	4
COMPONENTS.....	4
ACCESSORIES.....	4
TECHNICAL DATA.....	5
WASTE AND RECYCLING.....	5
SAFETY REGULATIONS.....	6
HOW TO USE.....	8
STARTING UP.....	8
USING THE ACCESSORIES.....	9
AFTER STEAM CLEANING.....	10
LIMESTONE REMOVAL.....	10
MAINTENANCE AND CLEANING.....	10
LEGAL ASPECTS.....	10
GUARANTEE CONDITIONS.....	11

APPLIANCE DESCRIPTION

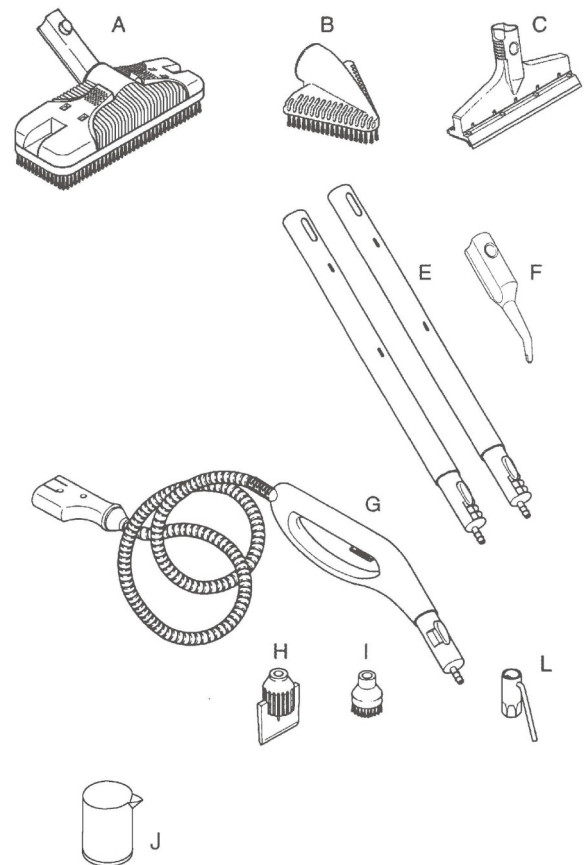
Model Vapor Clean II: Domestic steam cleaner.

COMPONENTS



1. Handle
2. Main switch
3. Steam ready green/amber ready light
4. Low water orange warning light
5. Steam Regulator Knob
6. Pressure gauge
7. Steam hose socket
8. Electric power cord
9. Swivel castor wheels

- A) Rectangular brush with clips
- B) Triangular brush
- C) Window Squeegee
- E) 2 Extension wands
- F) Jet nozzle
- G) Flexible hose with handle
- H) Scraper/Spatula
- I) Small round detail brush
- J) Fill cup
- L) Hexagonal drainage key



TECHNICAL DATA

Technical details:	
Rated Voltage	120 ~60Hz
Rated Power	1450W
Max Power	1500W
Boiler material	Stainless AISI 304– 1,2 mm
Boiler capacity	1,7 L
Working pressure	65 psi (4,5 Bar)
Safety device in case of lack of water	Automatic thermo-switch
Over heat safety device	Manual thermo-switch
Safety pressure valve	6 Bar
Pressure indicator	Pressure gauge
Power cable cord length	13 foot
Low water indicator	Light

WASTE AND RECYCLING

Do not discard the components of the appliance in the environment. For their waste, the laws of the country where the appliance is used have to be observed.

The appliance is constructed with materials that must not be dispersed in the environment. For their disposal contact recycling centers or the supplier.

In accordance with the directives 2002/95/EC, 2002/96/EC and 2003/108/EC, relating to the reduction in use of dangerous components in electric and electronic appliances, and waste disposal”.



The symbol of the barred skip on the appliance indicates that the product, at the end of its working life, must be collected separately from other refuse.

The user must bring the appliance to an appropriate center for separately collected electronic and electric-technical items, or return it to the seller when purchasing a new equivalent appliance, on a one to one basis.

The appropriate separate collection of the appliance for recycling, to the treatment and compatible environmental disposal contributes to avoiding possible environmental and health effects of a negative nature and encourages the recycling of materials of which the appliance is composed. Abusive disposal of the product by the user instigates the application of sanctions according to Leg. Decree no. 22/1997 (article 50 and following of Leg. Dec. no. 22/1997).

Data, specifications and equipment which are described in this document are not binding and may be altered without prior notice.

DEAR CUSTOMER,

We compliment you on the excellent choice you have made by purchasing the Vapor Clean II, the ideal home appliance that will solve any cleaning or sanitizing problem without the use of chemicals or detergents for cleaning. Using steam to clean respects your home environment and will allow you to quickly rid your house of dirt, mites and bacteria. We are confident that the use of this appliance will meet and exceed every expectation!

SAFETY REGULATIONS

IMPORTANT SAFEGUARDS AND PRECAUTIONS.

When using electrical appliances, common sense safety precaution should always be followed to

reduce the risk of fire, electric shock, and/or injuries to persons, including the following:

- Read all instructions and information in this instruction book and any other literature included in the carton referring to this product before operating or using this appliance.
 - Unpack the appliance and make sure that it is intact and undamaged (fig.1 – page 12). In case of any doubt do not use the appliance and contact an expert technician.
 - Before connecting the appliance to the main power source make sure that rating power source from the outlet socket corresponds to the technical data of the appliance which can also be found on the data sticker placed on the bottom of appliance. (fig.2 – page 12)
 - Do not touch hot surfaces (i.e. steam wand). Use handles or knobs.
 - To protect against fire, electric shock and personal injury, do not place cord, plug or the appliance itself in water or any other liquids. (fig.3 – page 12).
 - Keep out of reach of children and never leave the appliance unattended (fig.4-5 page 12).
 - The appliance must not be unplugged by pulling the cord or the appliance itself. (fig.6 – page 12). Unplug the appliance from outlet socket by pulling the cord plug.
 - Before plugging in the appliance to the outlet make sure that the main switch is in the OFF position.
 - Always turn the appliance OFF before unplugging.
 - The appliance should be used indoor and should not be exposed to atmospheric agents i.e. direct sunlight, rain, frost, etc. fig.7 – page 12.
 - Do not allow the cable cord to rub against sharp edges or to be squashed in doors, drawers, etc. (fig.8 – page 12).
 - Do not overturn or tilt the appliance when on (fig.9 – page 12).
 - Before using the appliance always check the power cable cord is in good condition and undamaged.
 - Always keep your hands away from the jet of steam. This can cause sever scalding (fig.10 – page 12).
 - Always unplug from the mains (fig.11 – page 12):
 - before cleaning the appliance or do any boiler cleaning and maintenance.
 - when stop using it, even for a short pause.
 - The appliance is equipped with thermal safety valve: if this valve must be replaced, the repair must be carried out by a qualified technician.
 - Should the appliance be damaged and/or malfunctioning, it must be switched OFF immediately and not be used without consulting the Vapor Clean service center. For any necessary repairs, please contact the service center (fig.12 – page 12). If the appliance is tampered with in any way, the warranty shall be null and void.
 - Do not use the steam to clean other electrical appliances (fig. 14 – page 12), even if they are not connected to the main electric power source.
 - Never put detergents, perfumes or any other natural or chemical substances into the water refilling boiler. (fig. 15 – page 12).
 - Fill the boiler with only water.
-
- The use of other accessories which are not recommended by the appliance's manufacturer may cause problem in fire, electric shock or personal injury.
 - Do not let the power cord hang over the edge of a table or a counter, do not put it in touch with hot surfaces. The use of an extension cord is not recommended, but if it is necessary to have one please use at least a 14 gauge commercial extension cord. Anything higher is not strong enough and can put an electrical strain on the appliance.

- Do not place the appliance on or near a hot gas or electric burner, or in a heated oven.
- This appliance is designed for household domestic use only. It cannot stand heavy duty usages or commercial usages.
- Do not use the appliance if there is not water in the boiler.

SAVE THESE INSTRUCTIONS

SHORT CORD INSTRUCTIONS

- The stated electrical rating of the extension cord should be as great as the appliance electrical rating. At least a 14 gauge commercial extension cord is recommended.
- If the appliance plug is grounded, the extension cord should be a 3-wire grounded extension cord.
- The longer cord should be arranged so that it will not drape over the counter-top or tabletop, where it may be pulled by children or accidentally tripped over.
- The use of a generator is not recommended for this appliance as the electrical current provided to the unit fluctuates and causes stain. If it is necessary to use a generator, the use of a voltage regulator should be applied.

HOW TO USE

The appliance can be used with the related accessories for cleaning.

STARTING UP

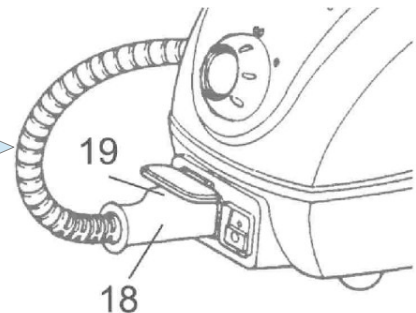


SUGGESTIONS:

To preserve the appliance we recommend using distilled water, reverse osmosis, normal city tap water, spring water, or bottled drinking water. Do not use water filtered through a water softener.

Open the safety cap and fill the boiler to capacity. (fig.16 – page 13). Close the cap.

Lift the main unit socket lid (fig.17 – page 13) and insert the connector of the steam flexible hose (fig.18 – page 13). Make sure the pin of the lid is firmly locked into the hose connector. Once locked try to pull the connector (fig. 18 – page 13) to make sure it has been properly locked.



Fit the desired accessory on the steam handle (fig. 21 – page 13). To remove the accessory press the button and pull it out (fig. 22 – page 13).

Connect the electric power cord (fig. 11 – page 12) into the electrical wall outlet socket.

Switch ON the appliance by pressing the upper part of the switch button (fig. 24 – page 13); the orange light will turn ON. When the green/amber ready light turns ON, the appliance is ready to use. The pressure-gauge will show the actual pressure measured in bars. The needle will peak

between 4 and 4.5 bars.

Pull the trigger on the handle to steam (fig. 19 – page 13), hold the trigger to continuously steam and release the trigger to stop the steam.



During the initial heat up process, the air inside the boiler always produces a pressure that restricts the steam output. Therefore, after the first minute of heating up, press the button on the handle a few times to release the air.

The steam regulator knob controls the steam output (fig. 20 – page 13) and it turns 360°.

Turn the knob **to the left to increase the steam output** volume. This provides wetter steam and faster pressure loss. Turn the knob **to the right to lower the steam output** volume. This provides dryer steam with minimal pressure loss.

NOTE: Steam output volume will diminish faster if kept open at the maximum. Mid to low setting is the best for most applications and it maintains consistent steam output.



When the low water light turns on or you simply run out of steam, turn the unit off immediately. To refill, you can wait a few minutes for the machine to cool then slowly remove the boiler cap and refill.

USING THE ACCESSORIES

All the accessories can be fitted directly onto the handle or onto the extension tubes.



Caution: check that the surfaces and the fabrics that you wish to steam clean are suitable for this type of treatment before starting to clean them.

Rectangular floor brush with clips can be used with or without the cloth, for cleaning all smooth floor surfaces and to freshen up carpets (Fig. 23 – page 13). Note: if using a cloth, if you may also find that folding the cloth twice or even three time works best to create more of a “mop” like fabric for better cleaning.



Caution: in the case of delicate surfaces always use the cloth.

Triangular brush – can be used with a cloth wrapped around for cleaning padding, mattresses, kitchen furniture, hard to reach places and to freshen up garments. You will need to use something to hold the towel in place. A twist tie or a clothes pin will work exceptionally well.

Window squeegee - is for cleaning windows, mirrors, shower walls, etc. (fig. 25 – page 13). To use, steam the glass first to loosen up any residue, then put a cloth on the window seal or door track to

catch drippings and use squeegee at the top and work your way down to wipe glass clean.



Caution: when cleaning cold glass surfaces always keep at a distance of at least 20 inches and work only with the minimum quantity of steam. (The non-observance of this precaution can cause the glass to break.)

Use the jet nozzle with or without a detail brush and/or scraper/spatula for cleaning points that are difficult to reach such as washbasins, grout lines, toilet bowls and surfaces in very narrow areas.



Caution: do not use the round brush and/or spatula on delicate surfaces. Also, do not press hard or use force to clean. It is not necessary as the steam does the work for you and the accessory may break under back and forth stress.

Scraper/Spatula - for cleaning ovens, grills, barbecues, fireplaces etc.

When cleaning delicate objects (plants) always keep at a distance of 7 to 15 inches and avoid direct contact with the steam (Fig. 26 – page 13). A towel can be used on hand to wipe up any residue.

AFTER STEAM CLEANING

When you have finished cleaning with your steam cleaner, switch off the appliance and leave it to cool it down completely before putting it away. You do not need to empty your machine if it is being used at least once per month.

LEGAL ASPECTS

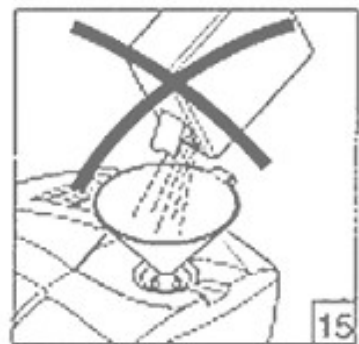
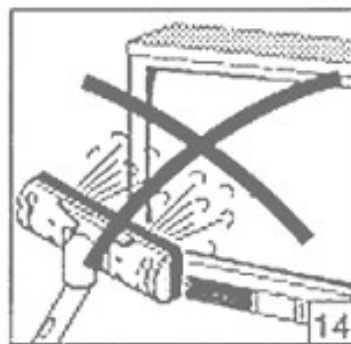
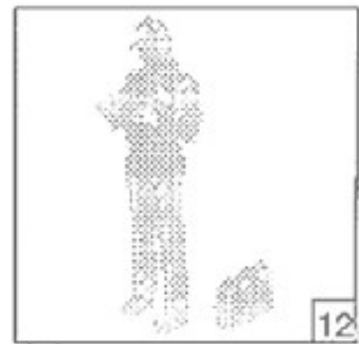
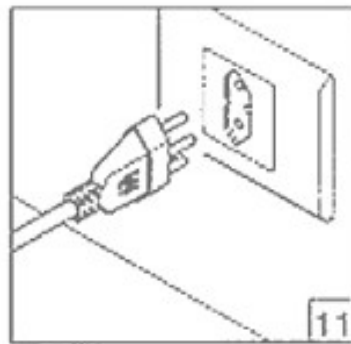
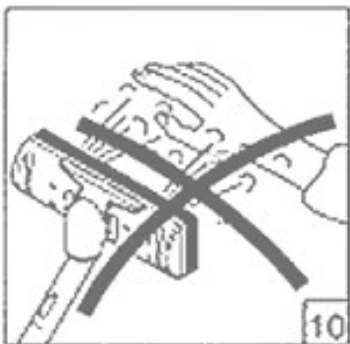
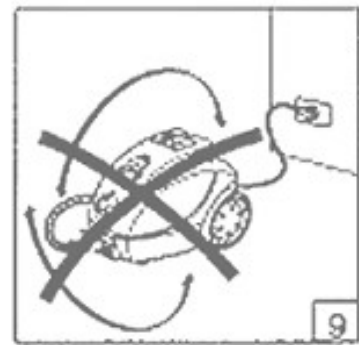
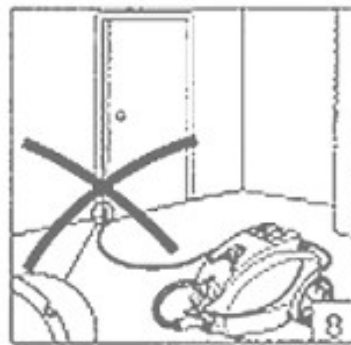
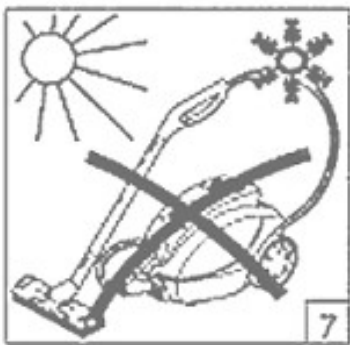
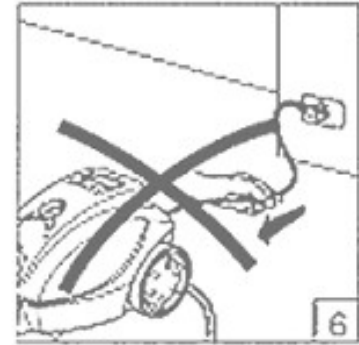
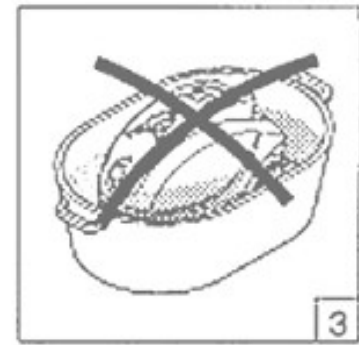
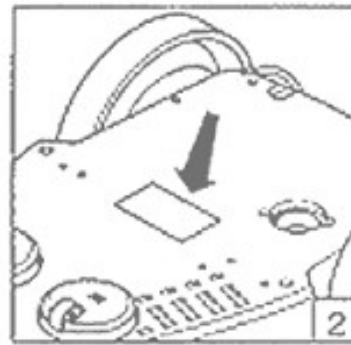
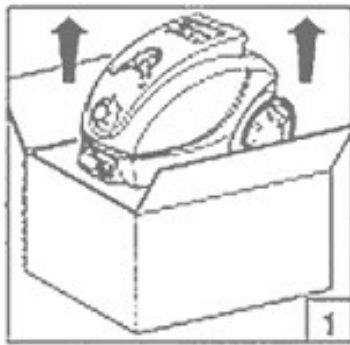
This instruction booklet contains the information necessary for correct use, proper handling and careful maintenance of the appliance. Knowledge of and compliance with the instructions are the necessary requirements for efficient functioning and maintenance of the appliance in complete safety. However, these instructions cannot cover every possible and imaginable use of the appliance. Should you need further information or should any particular problem arise that, in your opinion, is not clearly explained herein, please call your local U.S. retailer at 1-800-758-3141 and talk with a Vapor Clean representative. All obligations of our company are governed by the relevant sale contract, which also includes the complete and exclusive regulation and provision of guarantee. Contractual guarantee provisions are neither limited, nor extended by these instructions. The information given in these instructions is protected by copyright. These instructions may not be photocopied or translated into other languages without the prior written permission of the manufacturer.

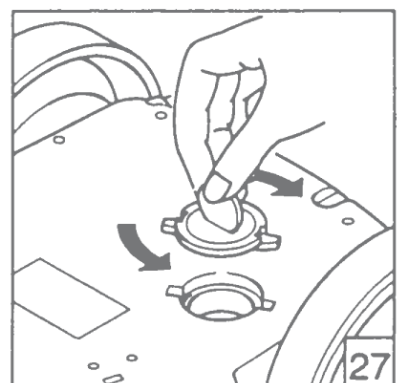
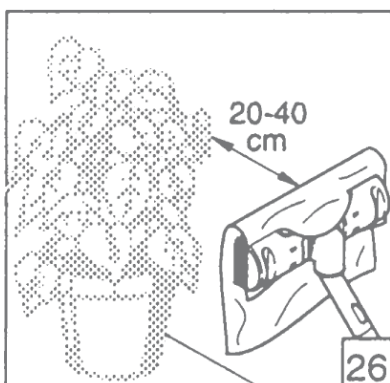
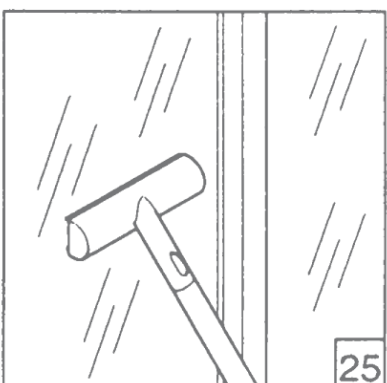
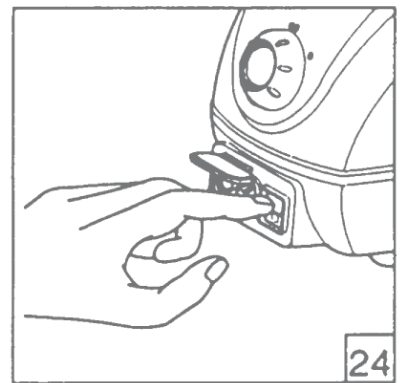
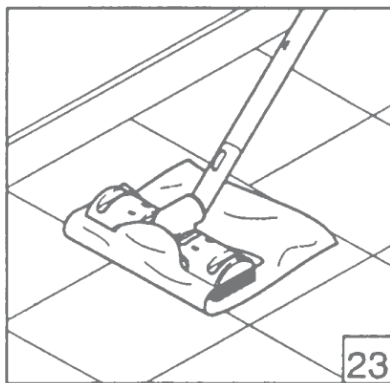
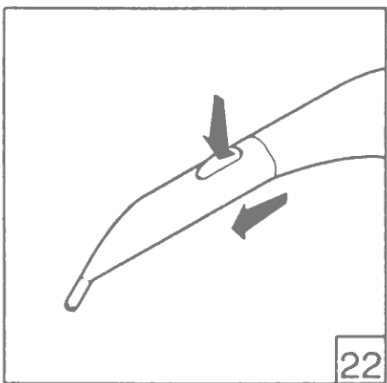
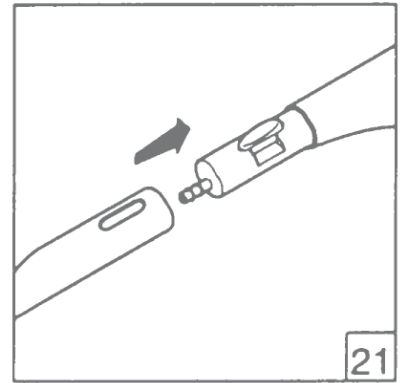
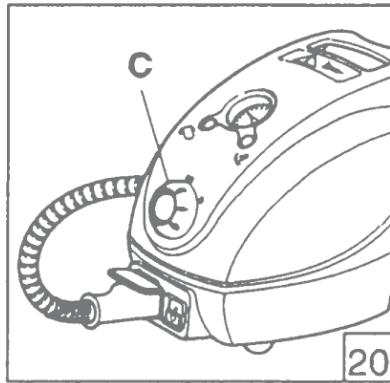
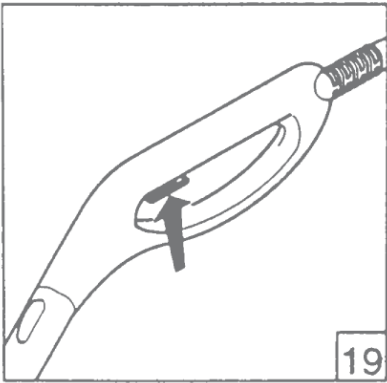
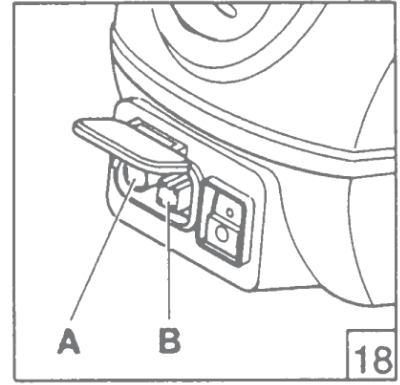
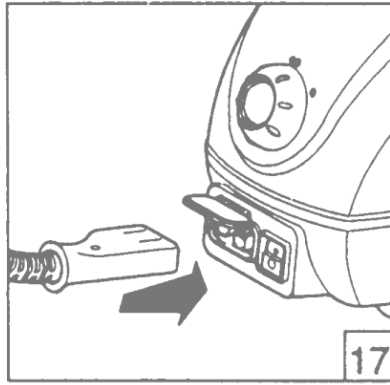
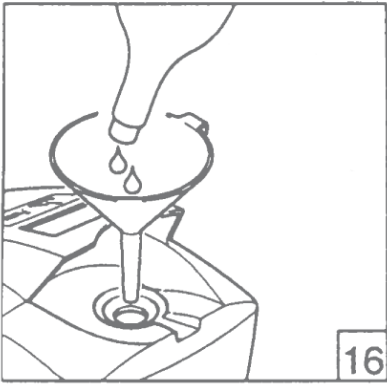
GUARANTEE CONDITIONS

1. The appliance is guaranteed for one year from the purchase date. The said purchase date is proved by a legally valid receipt issued by an authorized retailer bearing the name of the said retailer and the date on which the appliance was purchased, and which must be kept and

- presented in the case of assistance requested from the authorized Service Center.
2. The guarantee is understood to cover the replacement and/or repair free of charge of components of the appliance that are considered to be originally faulty due to a manufacturing defect.
 3. In the case of an irreparable fault or the repetition of a fault due to the same defect, the whole appliance will be replaced - at the manufacturer's discretion if issue is deemed to be a manufacturing defect. The guarantee on the new appliance will last until the end of the original contract.
 4. All components that should turn out to be faulty either because of negligence or incorrect handling (failing to comply with the instructions for use of the appliance), or because of improper installation or incorrect maintenance, servicing by unauthorized personnel or due to any circumstance other than manufacturing defect, are not covered by this guarantee.
 5. The guarantee does not cover any case of improper use of the appliance, and in particular does not cover any non-domestic use.
 6. The manufacturer will refuse any liability for any possible damage caused to persons, property or animals, which may occur due to the non-observance of the instructions given in this handbook, in particular those concerning installation, use and maintenance of the appliance.

THIS APPLIANCE HAS BEEN MANUFACTURED IN COMPLIANCE WITH THE EC DIRECTIVE (EEC 89/336), (EEC 73/23).







Phone number: 1-800-758-3141
website: www.myvaporclean.com